

# Cape Collection

Premium Genuine Fireclay Reversible 33-Inch Workstation Dualmount Kitchen Sink

model:

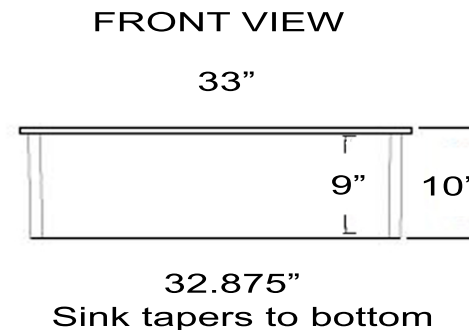
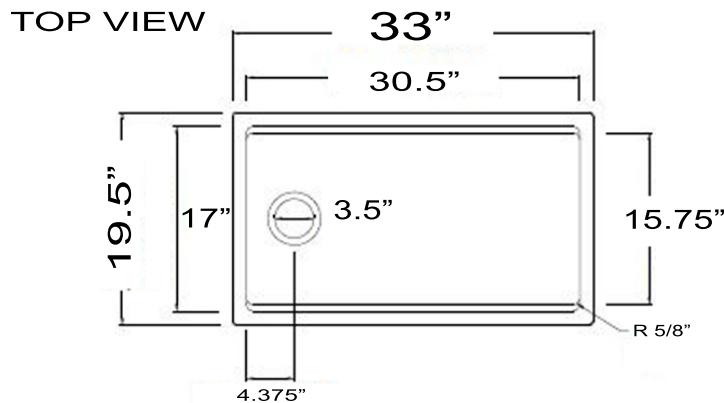
**Wellfleet-PS3320W**



# Nantucket

S I N K S

www.NantucketSinksUSA.com  
info@nantucketsinksusa.com



OVERALL DIMENSIONS	INTERIOR BOWL	BOWL DEPTH	HEIGHT	DRAIN OPENING
33" x 19.5" x 10"	30.5" X 17" Top 30.5" X 15.75" Base	9"	10"	3.5"

## FEATURES:

- Drain & Cutting board included
- Built In ledge holds included cutting board
- Premium Fireclay Sink
- Exterior walls have slight 1/8" Taper
- Material is sound absorbing and stain-resistant
- Non-porous surface is hygienic and scratch resistant
- Nominal dimensions - may vary by .25"
- Due to sink thickness - may require an extended flange
- Dualmount design can be topmounted or undermounted

Project Name: \_\_\_\_\_

Architect / Contractor: \_\_\_\_\_

Job Notes: \_\_\_\_\_

\_\_\_\_\_

\_\_\_\_\_